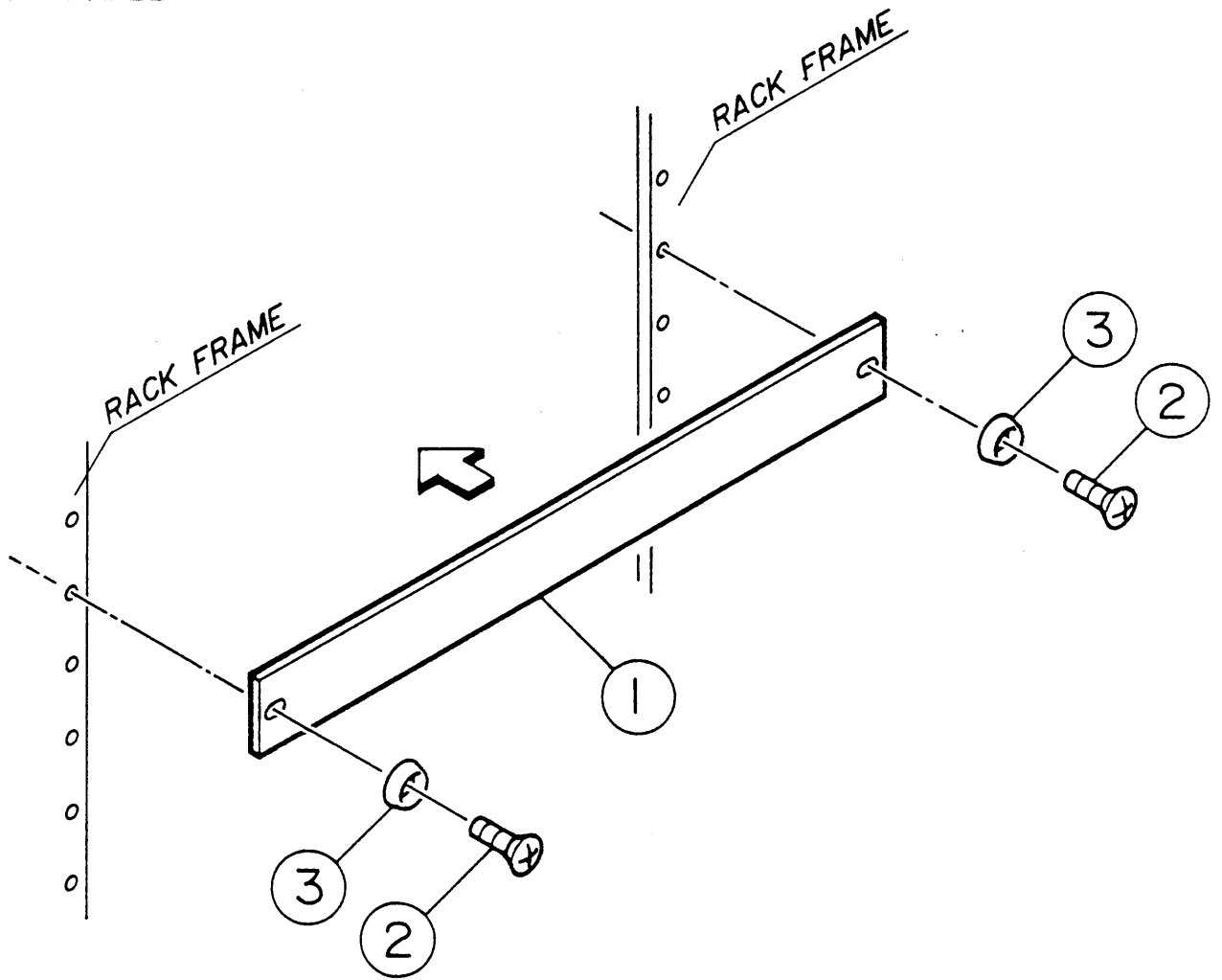


BLANK PANEL BPIH



NO.	DESCRIPTION	QTY	CODE NO.
1	BLANK PANEL BPIH (T3)	1	A4-343-911
2	SCREW, OVAL HEAD M5x0.8x14 B-NI	2	M2-002-091
3	FINISHING WASHER 5CW	2	M5-003-031